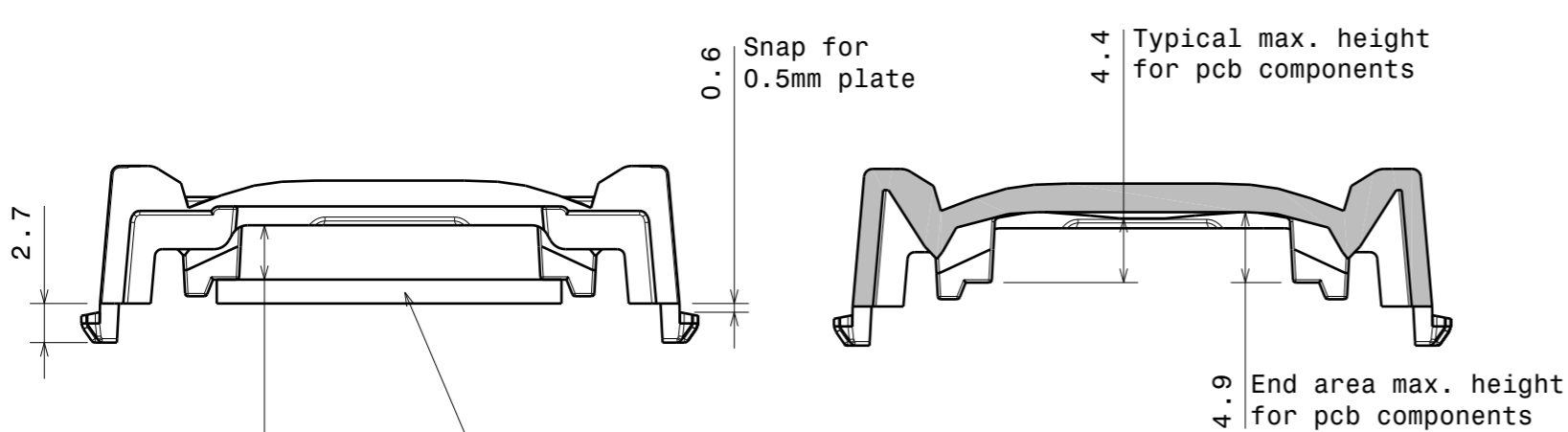
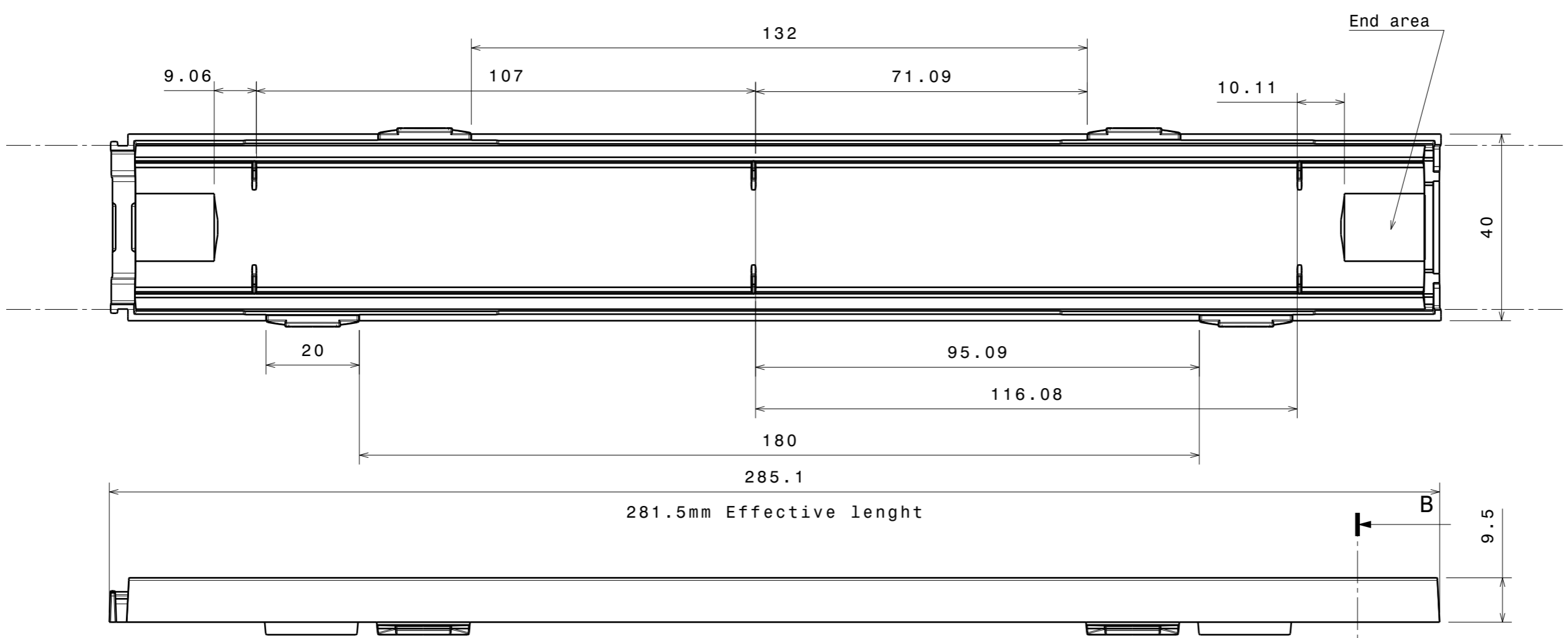


H G F E D C B A



PCB max 24mm wide.
Thickness 1.6mm.

Section view B-B
Scale: 2:1

INDEX	PART NO	DESCRIPTION	MATERIAL	COLOUR
1	F15940	LINNEA-90-B	PC	Clear

LEDiL LediL Oy
Salorankatu 10
FIN 24240 SALO
Finland

Tolerances if not otherwise shown
According to DIN ISO 2768-1
Linear measures:
Up to 30mm class M, otherwise class C.
According to DIN ISO 2768-2
Form and position: class L

THIRD ANGLE PROJECTION:

This drawing is the property of LEDiL Oy. It may not be reproduced, copied or communicated without a written agreement with LEDiL Oy.

DRAWING TITLE
F15940_LINNEA-90-B

SIZE	PART NUMBER	
A3	F15940	

SCALE	1:1	WEIGHT	33,4g	SHEET	1/2
-------	-----	--------	-------	-------	-----

H G B A

H G F E D C B A

4

4

3

3

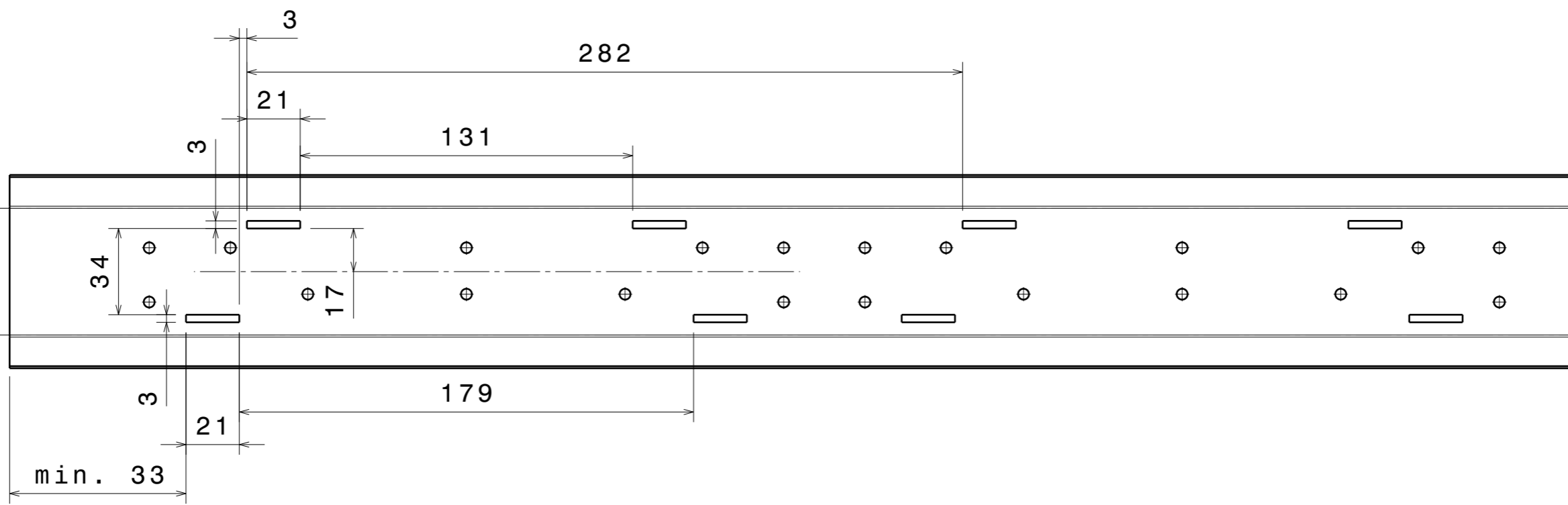
2


2

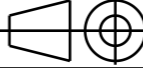
1

1

H G F E D C B A



 Ledil Oy Salorankatu 10 FIN 24240 SALO Finland		DRAWING TITLE	
		LINNEA SHEETMETAL CUT OUT	
SIZE	PART NUMBER		
A3	-		
SCALE	1:2	WEIGHT	
		SHEET	2/2

FIRST ANGLE PROJECTION: 

This drawing is the property of LEDiL Oy. It may not be reproduced, copied or communicated without a written agreement with LEDiL Oy.